

SPECIFICATIONS

General information

- Panel weight : 7.5 lbs./ft² bare.
- All steel welded construction filled internally with a cementitious core material.
- Protected from corrosion by an epoxy paint finish.
- Class A flame spread rating.
- Non-combustible material.

UNDERSTRUCTURE OPTIONS

- Freestanding
- Posilock
- 2' Bolted Stringer
- 4' Bolted Stringer

COVERING OPTIONS

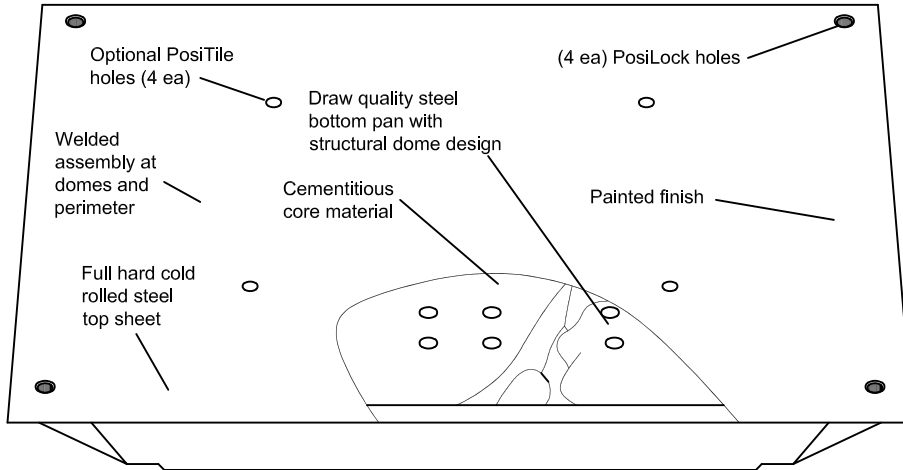
Tile factory laminated with integral trim edge

- 1/8" HPL _____ (Color) _____
- 1/16" HPL _____ (Color) _____
- 1/8" Conductive HPL _____ (Color) _____
- 1/16" Conductive HPL _____ (Color) _____

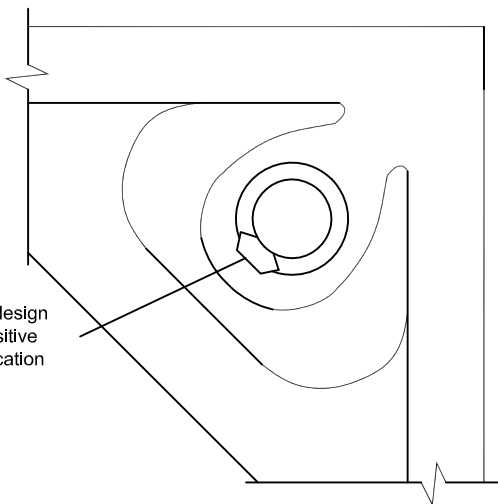
For additional laminate options contact Inside Sales

Bare Painted Panel Options

- Bare Painted Finish to accept carpet tile application
- Bare Painted Finish to accept PosiTile application

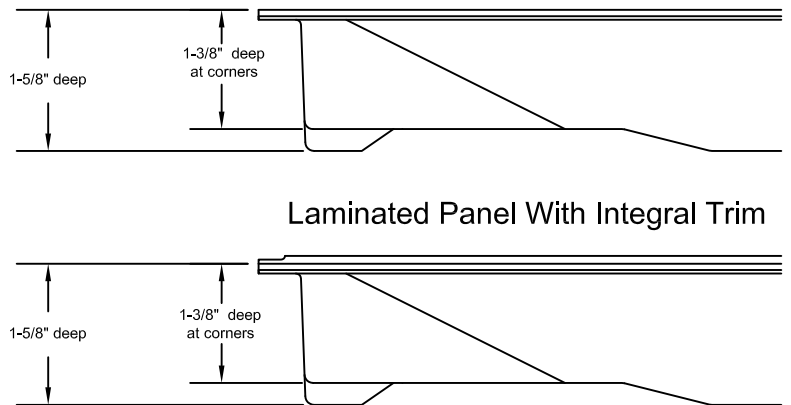


TOP VIEW



CORNER DETAIL

Integral shape pocket design and locating tab for positive lateral retention and location with or without screws



Bare Panel

Laminated Panel With Integral Trim

System Performance Criteria

System performance criteria are the most important to consider because they represent the performance in a typical installation. Panel only criteria such as concentrated load is often used to specify floor systems however, the test is not representative of an actual installation because it is performed with the panel resting on blocks, not actual understructure.

System Performance Criteria (Tested on Actual Understructure)							
System Type	Understructure	SYSTEM WEIGHT	STATIC LOADS		ROLLING LOADS		IMPACT LOADS
			Design Loads	Safety Factor (min. 2.0)	10 Passes	10,000 Passes	
ConCore CC1000-24"	Posilock	8.0 lbs / ft ² 39 kg / m ²	1000 lbs 454 kg	Pass	800 lbs 363 kg	600 lbs 272 kg	150 lbs 68 kg
	Bolted Stringer	9.0 lbs / ft ² 44 kg / m ²	1000 lbs 454 kg	Pass	800 lbs 363 kg	600 lbs 272 kg	150 lbs 68 kg